



**7280.0005 - 7280.0010**

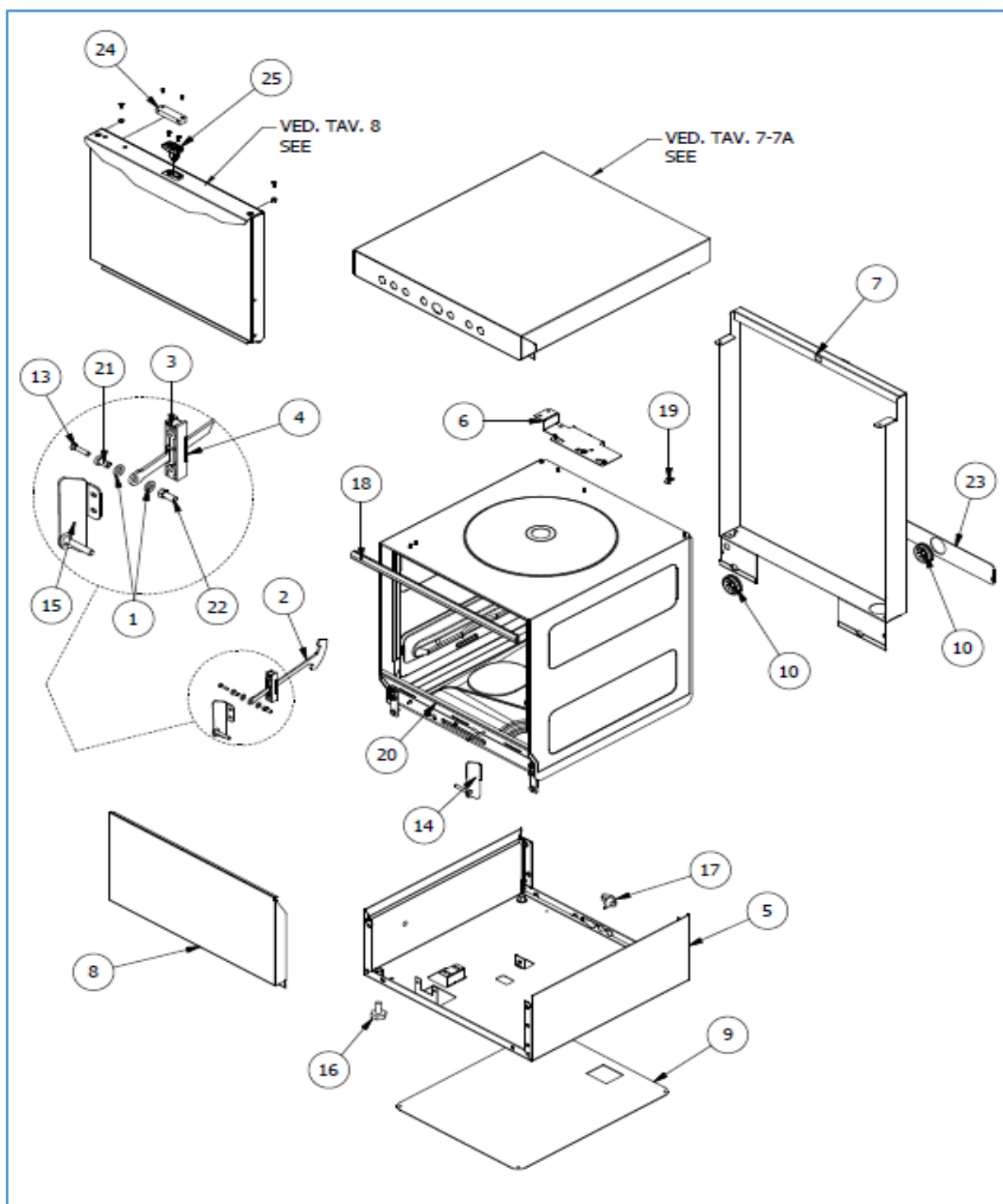
Onderdelen informatie

Erzatzteil information

Spare part information

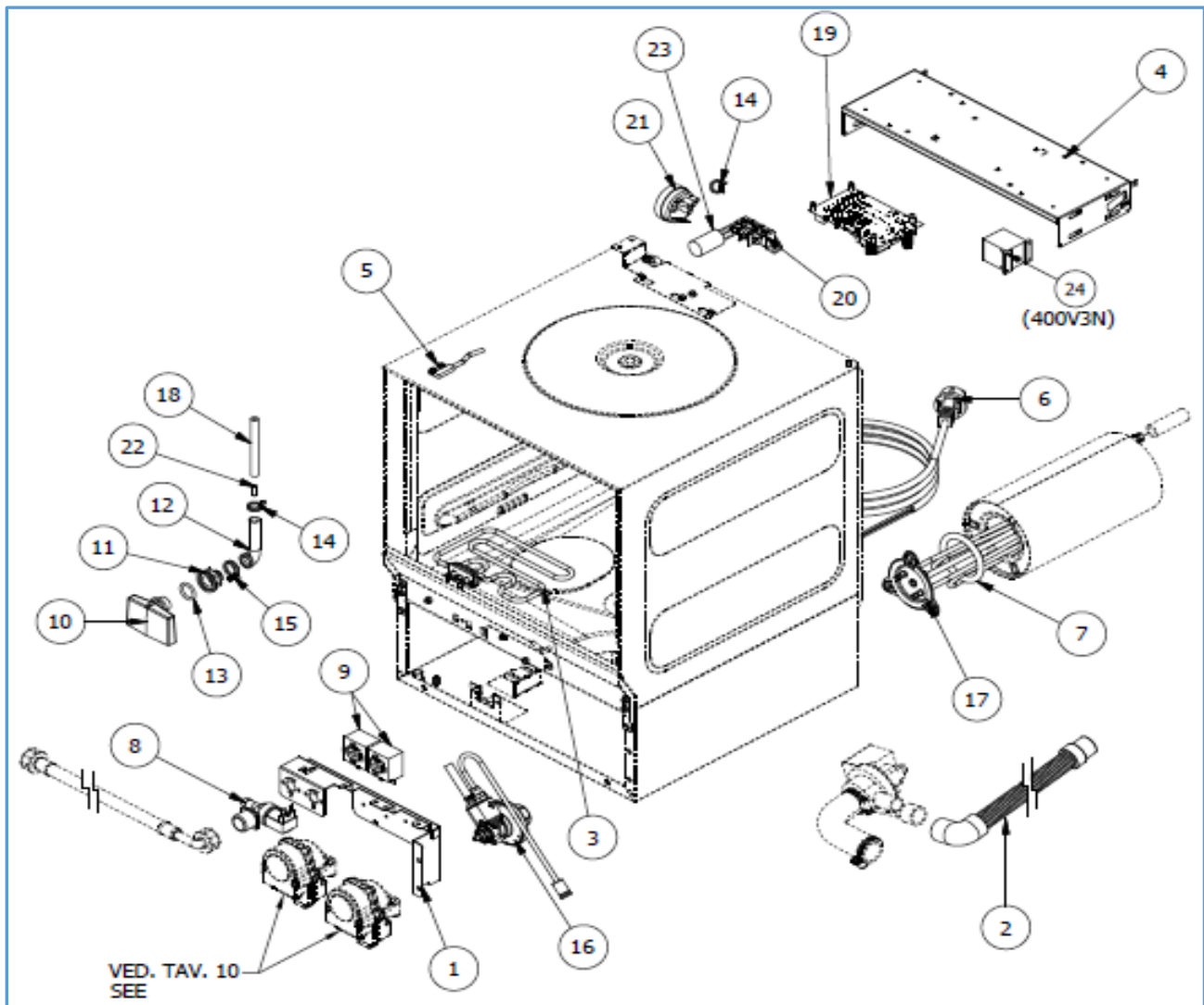
Information de pièces





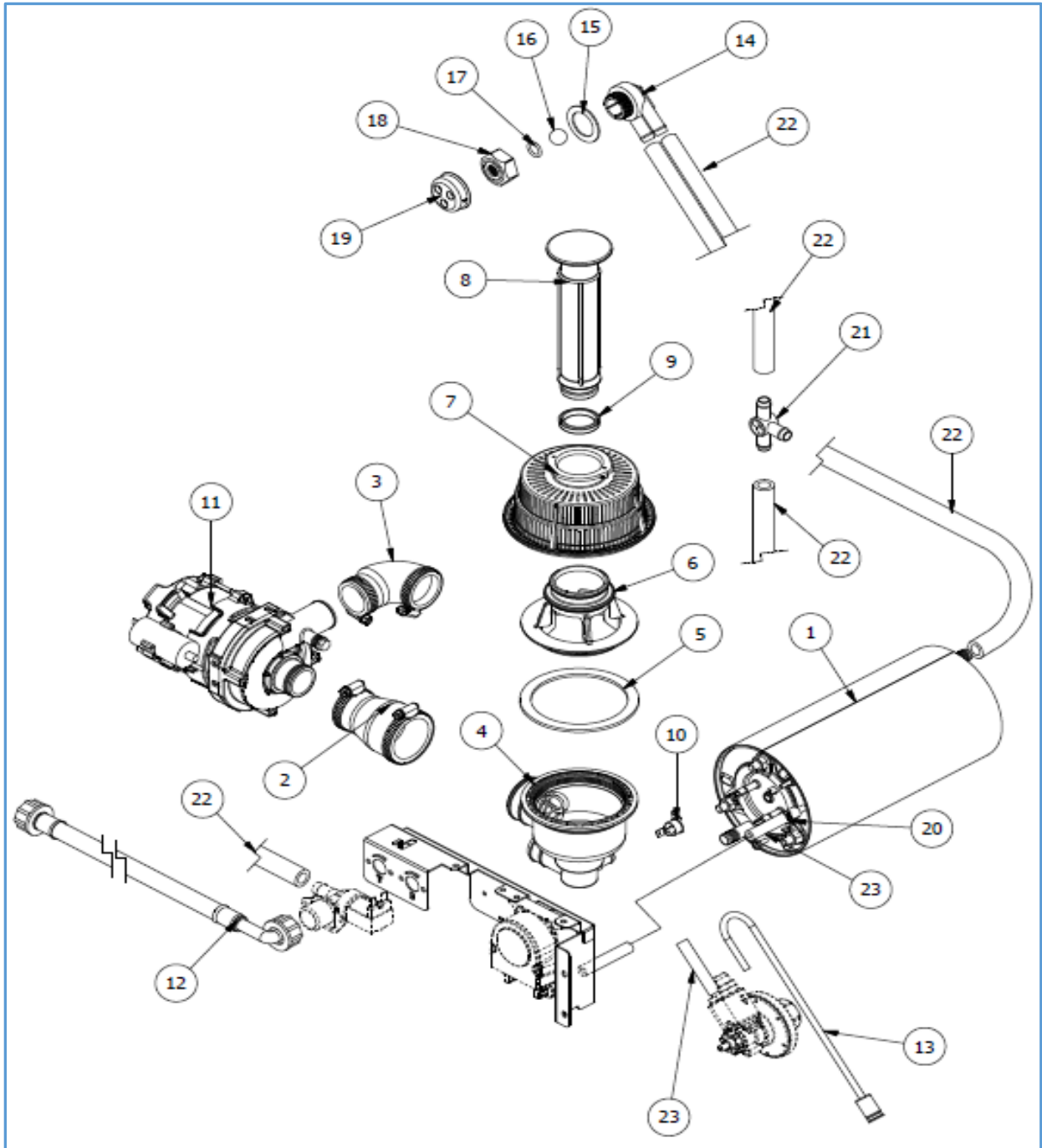
## Onderdelenlijst 7280.0005 - 7280.0010

POS:	Art.No.:	Omschrijving:	Aantal:
1		WASHER FOR DOOR TENSIONER	
2		DOOR TENSIONER	
3		TENSIONER GUIDE	
4		S.S. BLOCK FOR DOOR TENSIONER	
5		BASE ASSY	
6		PRESSOSTAT AND TERMINAL BOARD SUPPORT	
7		REAR PANEL	
8		LOWER TRIM PANEL	
9		BOTTOM GUARD	
10		PLASTIC SNAP CABLE	
11			
12			
13		STAINLESS STEEL SCREW M4x20 TCPS	
14		MOUNTAIN BRACKET ASSY FOR RIGHT HINGE	
15		MOUNTAIN BRACKET ASSY FOR LEFT HINGE	
16	9136.1798	ADJUSTABLE FOOT M10 (*)	
17	9136.0234	CABLE CLAMP	
18		DOOR GASKET L=mm. 450 (*)	
19		MALE PLASTIC LATCH	
20	9136.1078	EPDM GASKET DIM. mm.20x2x448 L (*)	
21		LINCHPIN	
22		TENSIONING PIN	
23		LOWER REAR PANEL	
24	9136.1526	MAGNETIC UNIT (*)	
25		DOOR JACK ASSY (*)	



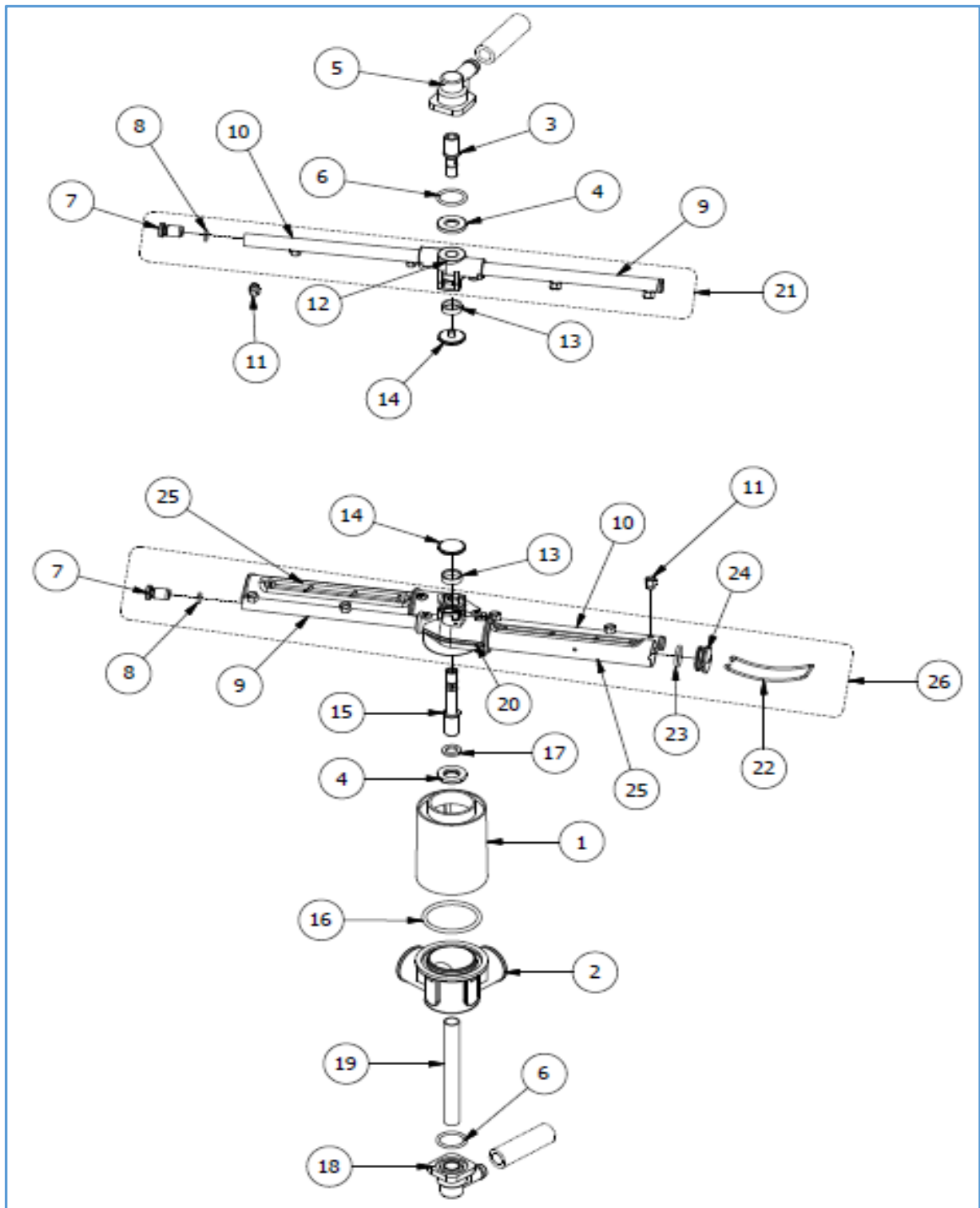
## Onderdelenlijst 7280.0005 - 7280.0010

POS:	Art.No.:	Omschrijving:	Aantal:
1		DETERGENT DISPENSER-THERMOSTATS SUPPORT	
2		DRAIN HOSE L=2500 mm.	
3		HEATING ELEMENT 240V 2400W (*)	
4		ELECTRICAL SUPPORT	
5	9136.2706	PROX MAGNETIC MICROSWITCH (*)	
6	9136.2926	POWER CORD SUPPLY 3G 1,5 WITH SCHUKO PLUG	
6A		POWER CORD SUPPLY 5G 1,5 VERSION 400V3N ONLY	
7	9998.5876	O-RING FOR BOILER FLANGE (*)	
8	9136.0193	SINGLE SOLENOID VALVE 90° 230V (*)	
9	9136.0179	AJUSTABLE 0÷90° THERMOSTAT (*)	
10		AIR TRAP (*)	
11	9136.1043	AIR TRAP NUT	
12	9136.0814	ANTI-CONDENSATION PIPE FITTING	
13	9136.0816	O-RING 4081	
14	9136.0190	∅ 15,9-14,8 HOSE CLAMP	
15	9136.0192	∅ 21,6-20,6 WIRE CLAMP	
16		RINSE-AID DISPENSER (*)	
17		BOILER HEATING ELEMENT 240V 3000W (*)	
17A	9136.1532	BOILER HEATING ELEMENT 230V 3000W VERSION 400V3N ONLY(*)	
18	9136.0652	EPDM HOSE , BLACK D. mm. 5x10	
19		MULTIFUNCTION ELECTRONIC TIMER (*)	
20		TERMINAL BOARD FV 110 - 40A - 450V SINGLE PHASE	
20A		TERMINAL BOARD FV 122 - 40A - 450V VERSION 400V3N ONLY	
21	9136.3118	PRESSOSTAT LEVEL 28/12 (*)	
22	9136.0815	BRASS PIPE	
23	9136.0787	INTERFERENCE SURPRESSOR 0,47 µF	
24	9136.1389	CONTACTOR 230V 50-60Hz (VERSION 400V3N ONLY)	



## Onderdelenlijst 7280.0005 - 7280.0010

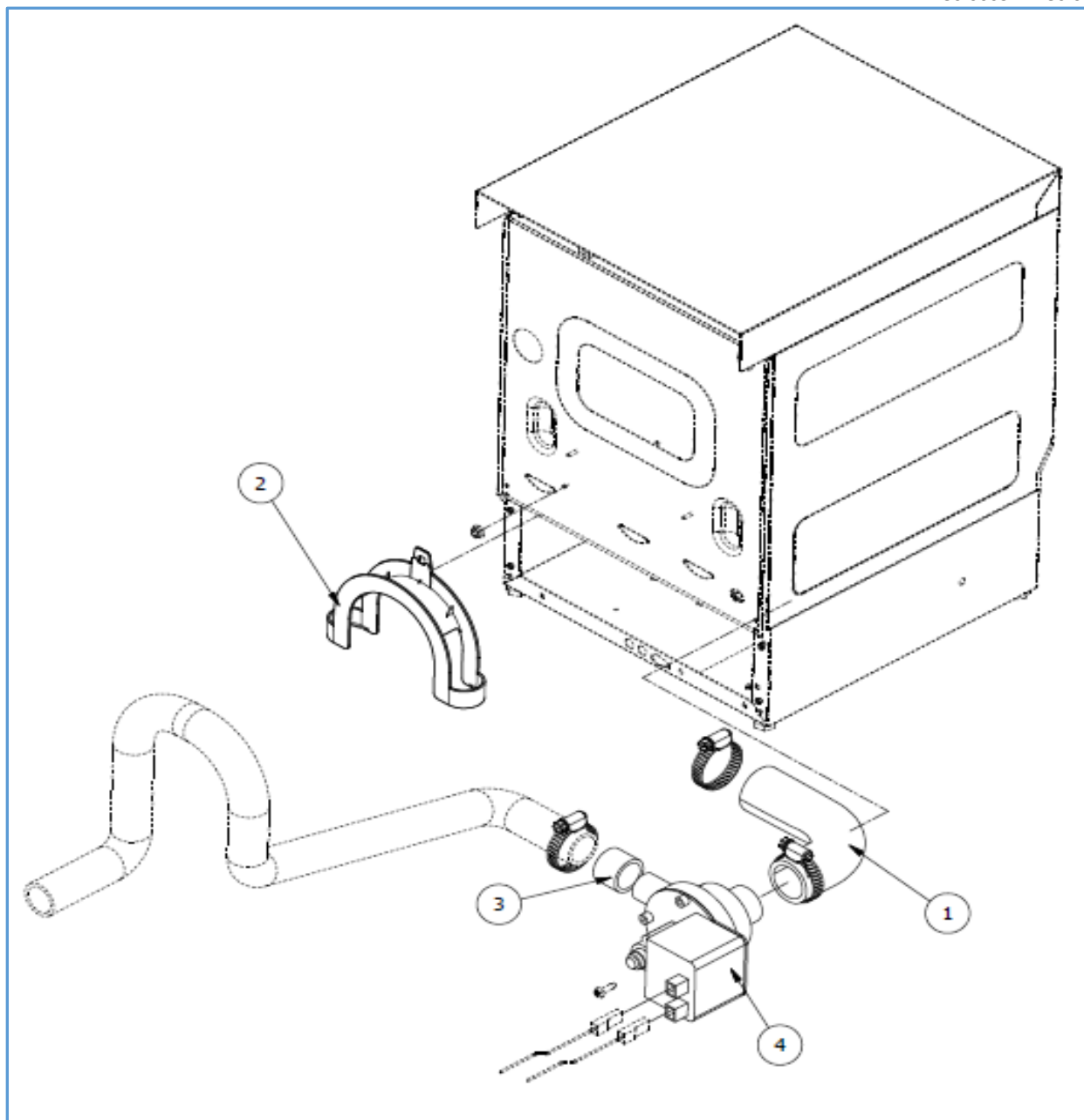
POS:	Art.No.:	Omschrijving:	Aantal:
1		3 Lt. BOILER ASSY	
2		INTAKE RUBBER COUPLING	
3		WASH PIPE RUBBER COUPLING	
4		FILTER GROUP DRAIN CUP	
5		GASKET FOR FILTER GROUP	
6		PLASTIC FILTER SUPPORT	
7		TANK PLASTIC FILTER	
8		OVERFLOW	
9	9136.3179	GASKET DE 150	
10	9136.1314	MANUAL RESET SAFETY THERMOSTAT (*)	
11		WASHING PUMP 0,185 Kw 230V 50Hz	
11A		WASHING PUMP 0,185 Kw 230V 60Hz	
12	9136.0128	WATER SUPPLY HOSE L=mm.2000	
13	9136.1362	RINSE-AID DISPENSER FILTER ASSY	
14	9136.0794	NOT RETOURN VALVE BODY	
15	9136.0837	RUBBER GASKET	
16	9136.0130	5/8" PTFE BALL (*)	
17	9136.0121	O-RING 115 (*)	
18	9136.0795	NOT RETOURN VALVE RING NUT	
19	9136.3108	NOT RETOURN VALVE PLASTIC COVER	
20		Ø 11,0-10,4 WIRE CLAMP	
21	9136.1088	3-WAYS DISTRIBUTOR	
22	9136.1610	D. mm. 11,5x19 BLACK RUBBER HOSE (*)	
23		EPDM HOSE, BLACK D. mm. 5x11 (*)	





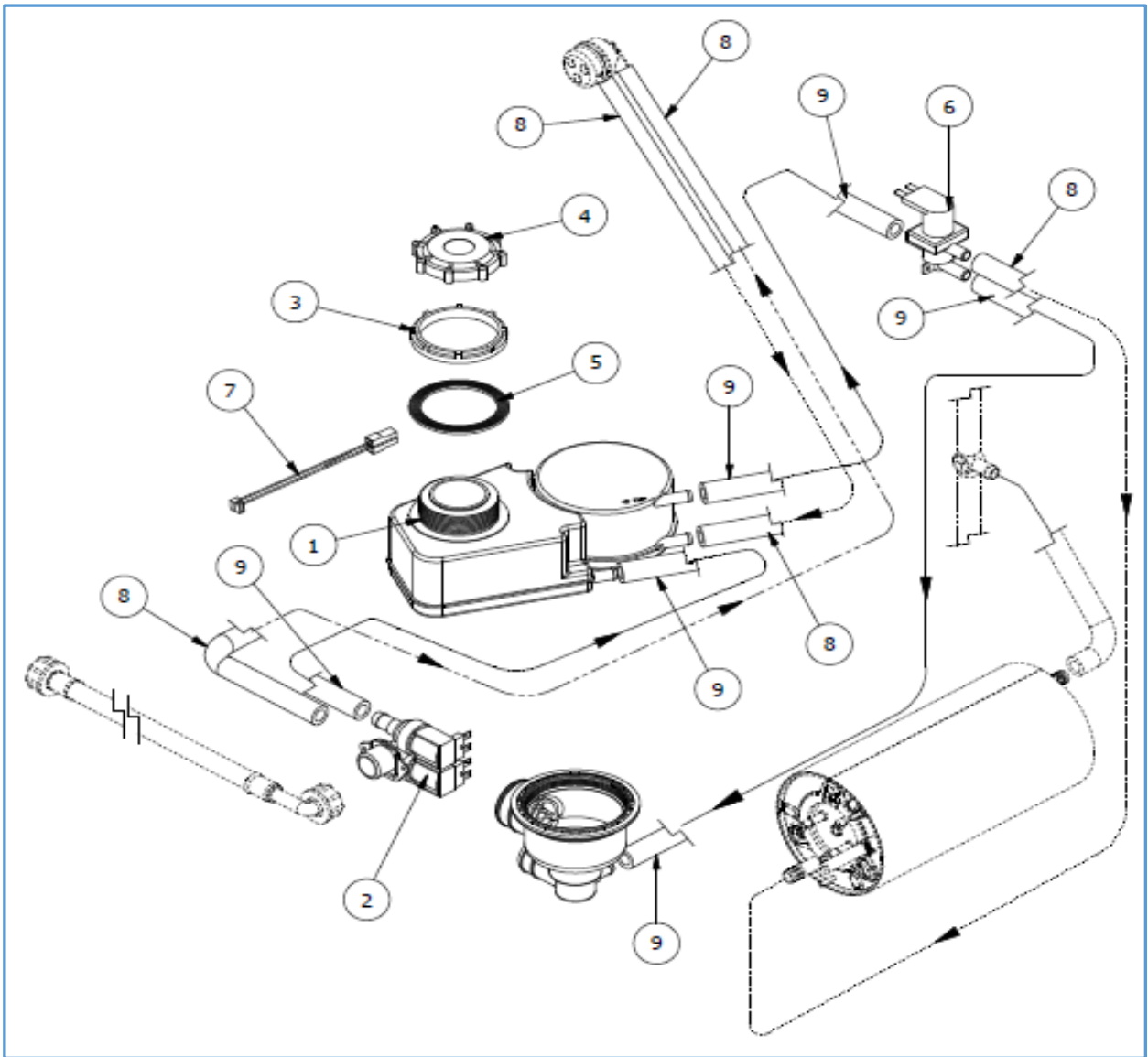
## Onderdelenlijst 7280.0005 - 7280.0010

POS:	Art.No.:	Omschrijving:	Aantal:
1	9136.2652	PLASTIC CYLINDER FOR WASH ARMS	
2		SINGLE WASH DISTRIBUTOR	
3		RINSE THROUGH PIN	
4	9136.1242	SUPPORTING WASHER	
5	9136.2464	90° PLASTIC CONNECTION M12x1	
6	9136.0101	O-RING 128	
7	9136.0690	RINSE PLASTIC PLUG (*)	
8	9136.0700	O-RING 106	
9		RIGHT RINSE PIPE SEGMENT	
10		LEFT RINSE PIPE SEGMENT	
11	9136.3172	STAINLESS STEEL RINSE NOZZLE M6	
12	9136.0581	2RP DISTRIBUTOR (*)	
13	9136.0796	PTFE RING (*)	
14	9136.0451	STAINLESS STEEL KNURLED SCREW(*)	
15	9136.0608	WASHING ARMS FULCRUM	
16	9136.0525	O-RING 147	
17	9136.0463	WASHING ARMS WASHER (*)	
18	9136.2422	90° PLASTIC CONNECTION M13x1	
19	9136.2750	STAINLESS STEEL CONNECTION ROD	
20	9136.0580	4RP DISTRIBUTOR (*)	
21		RINSE ARM ASSY	
22	9136.0743	LEAF SPRING	
23	9136.0112	O-RING 121	
24	9136.0741	WASHING ARMS PLASTIC PLUG (*)	
25		WASHING ARMS PIPE SEGMENT	
26		WASHING ARM ASSY	



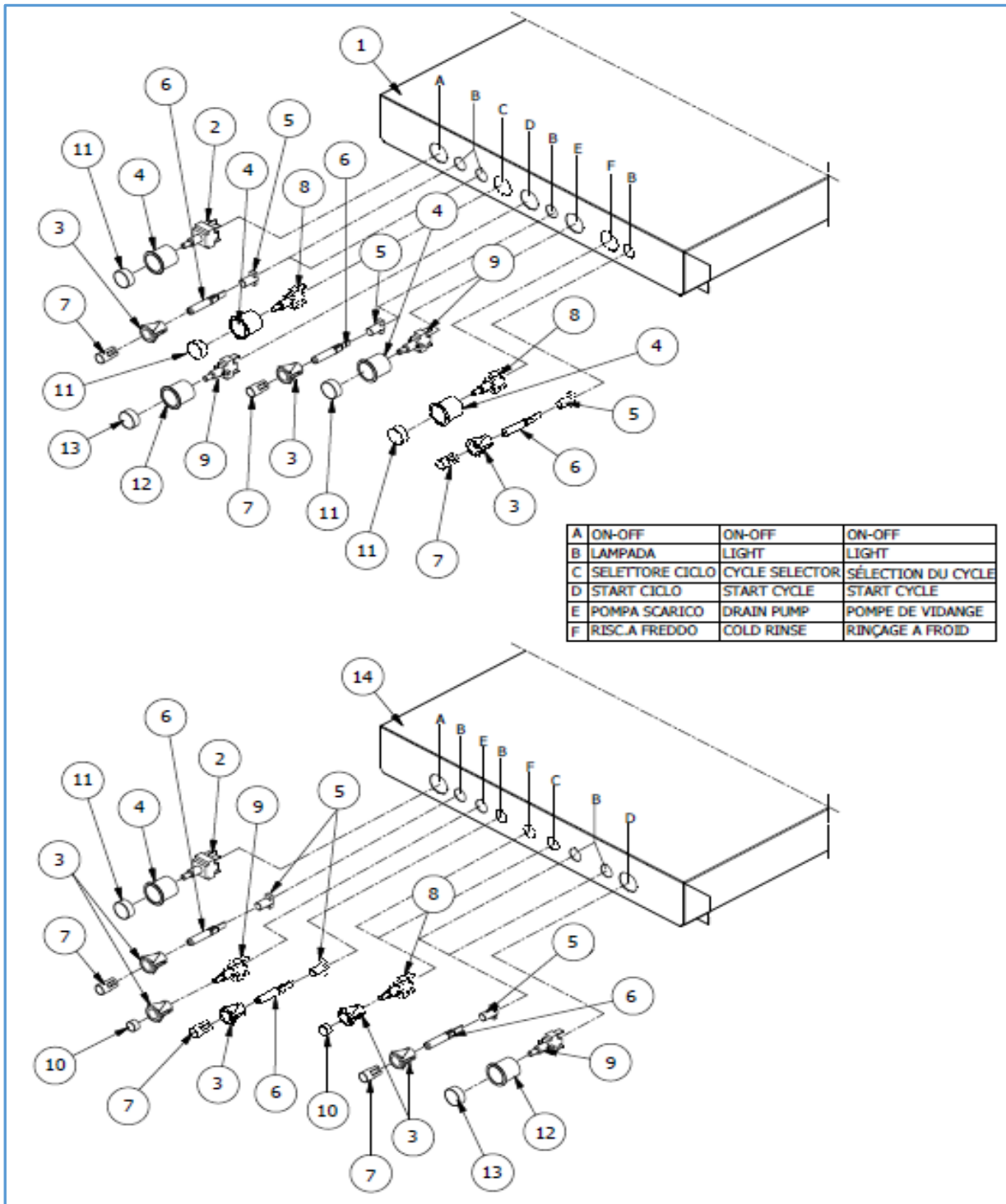
**Onderdelenlijst 7280.0005 - 7280.0010**

<b>POS:</b>	<b>Art.No.:</b>	<b>Omschrijving:</b>	<b>Aantal:</b>
1		RUBBER COUPLING	
2	9136.3116	DRAIN HOSE SUPPORT	
3		EPDM HOSE	
4	9136.2149	DRAIN PUMP 230V 50Hz(*)	
4A		DRAIN PUMP 220V 60Hz(*)	



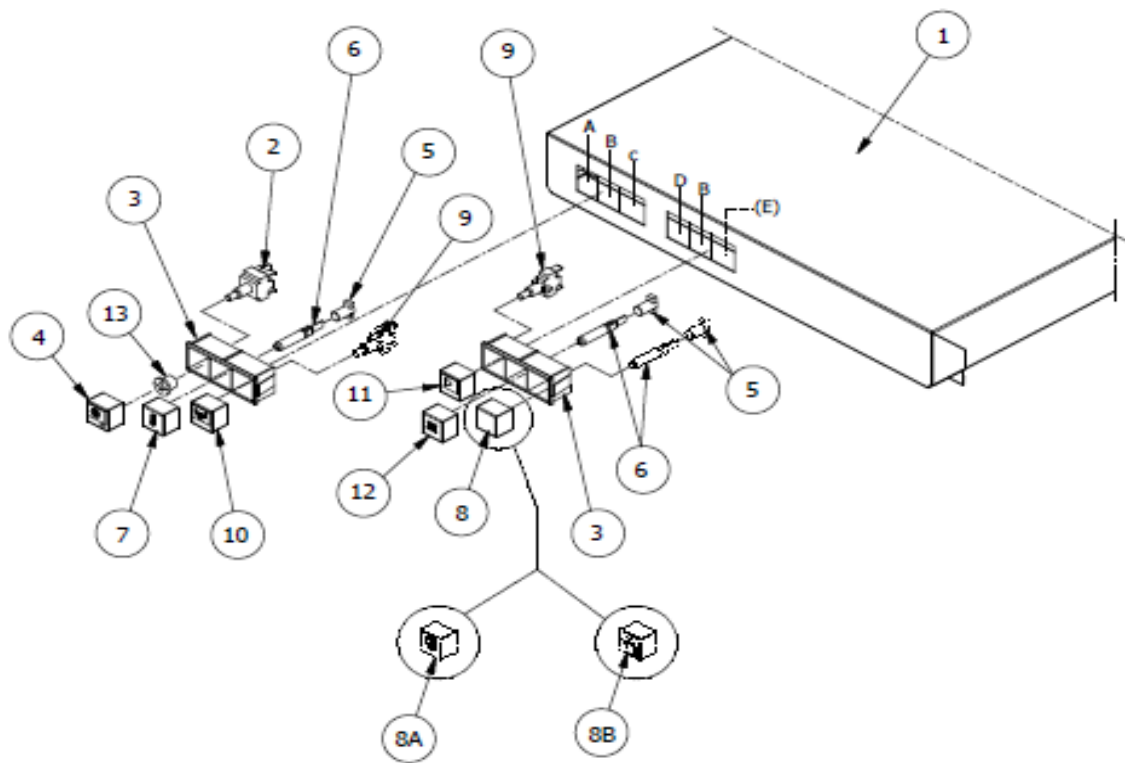
**Onderdelenlijst 7280.0005 - 7280.0010**

<b>POS:</b>	<b>Art.No.:</b>	<b>Omschrijving:</b>	<b>Aantal:</b>
1		AUTOMATIC WATER SOFTNER	
2	9136.2147	DOUBLE SOLENOID VALVE 90° 230V D.A. (*)	
3	9136.0458	WATER SOFTNER RING NUT	
4	9136.0457	SALT CONTAINER PLUG	
5	9136.1622	GASKET	
6		SOLENOID VALVE DOUBLE EXIT (*)	
7		WATER SOFTNER CONNECTIONE CABLE	
8	9136.1610	D. mm. 11,5x19 BLACK RUBBER HOSE (*)	
9		D. mm.10x17 BLACK RUBBER HOSE	



**Onderdelenlijst 7280.0005 - 7280.0010**

<b>POS:</b>	<b>Art.No.:</b>	<b>Omschrijving:</b>	<b>Aantal:</b>
1		UPPER COVER ASSY	
2	9136.1133	CM-NA TWO-POLE SWITCH (*)	
3		D. 16 DARK GREY SUPPORT	
4		D. 25 DARK GREY SUPPORT	
5	9136.1063	LIGHT INDICATOR HOLDER (*)	
6	9136.1069	230V TRANSPARENT INDICATOR LIGHT(*)	
7	9136.1067	NEUTRAL COVER FOR LAMP (*)	
8	9136.1897	NO SINGLE POLE SWITCH (*)	
9	9136.1132	CM-NO PUSH BUTTON (*)	
10		D.16 DARK GREY EMBOSSED BUTTON	
11		D.25 DARK GREY EMBOSSED BUTTON	
12		D. 25 BLUE SUPPORT	
13		D.25 BLUE EMBOSSED BUTTON	
14		UPPER COVER ASSY	

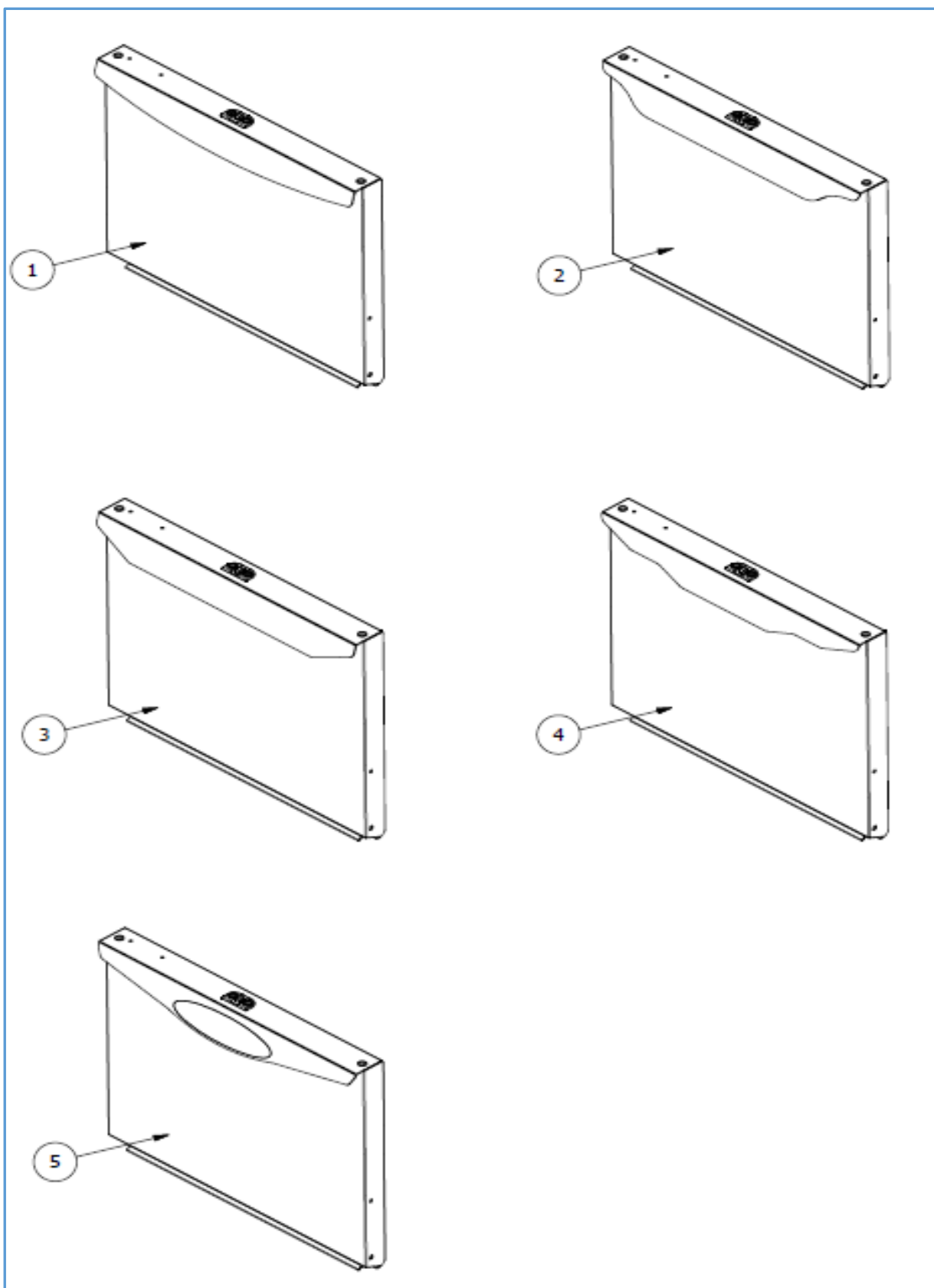


A	ON-OFF	ON-OFF	ON-OFF
B	LAMPADA	LIGHT	LIGHT
C	POMPA SCARICO	DRAIN PUMP	POMPE DE VIDANGE
D	START CICLO	START CYCLE	START CYCLE
E	RISC.A FREDDO	COLD RINSE	RINÇAGE A FROID



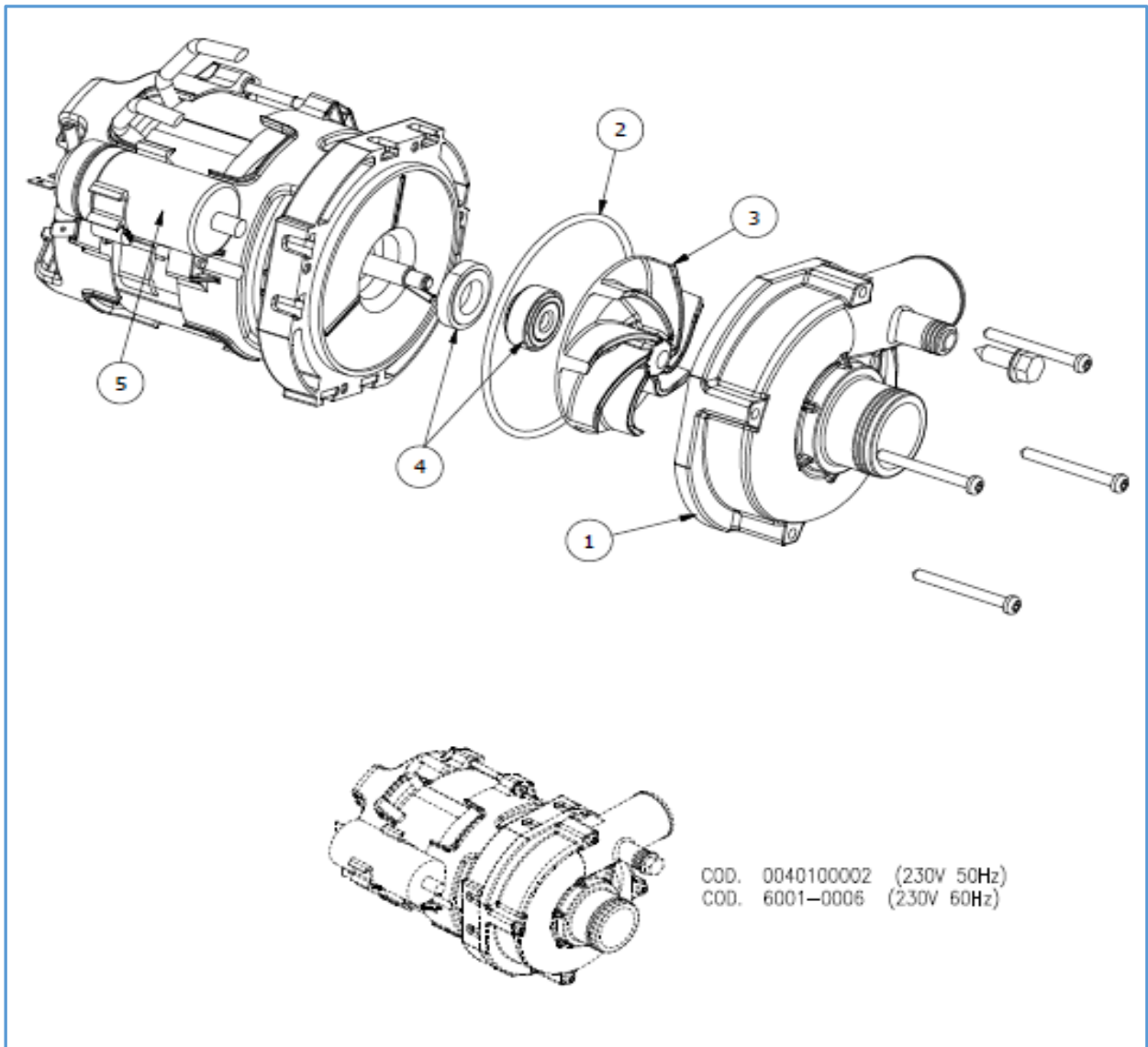
**Onderdelenlijst 7280.0005 - 7280.0010**

<b>POS:</b>	<b>Art.No.:</b>	<b>Omschrijving:</b>	<b>Aantal:</b>
1		UPPER COVER ASSY	
2		CM-NA TWO-POLE SWITCH (*)	
3		SQ3 BLACK SUPPORT	
4		BLACK EMBOSSED BUTTON WITH INDICATOR	
5	9136.1063	LIGHT INDICATOR HOLDER (*)	
6	9136.1069	230V TRANSPARENT INDICATOR LIGHT(*)	
7		NEUTRAL INDICATOR LIGHT	
8		BLACK SQUARE CAP	
8A		BLACK SQUARE CAP-COLD RINSE	
8B		NEUTRAL INDICATOR LIGHT -SALT	
9	9136.1132	CM-NO PUSH BUTTON (*)	
10		Q7 BLACK EMBOSSED BUTTON W/INDICATOR	
11		Q7 GREEN EMBOSSED BUTTON W/INDICATOR	
12		NEUTRAL INDICATOR LIGHT	
13		INDICATOR	



**Onderdelenlijst 7280.0005 - 7280.0010**

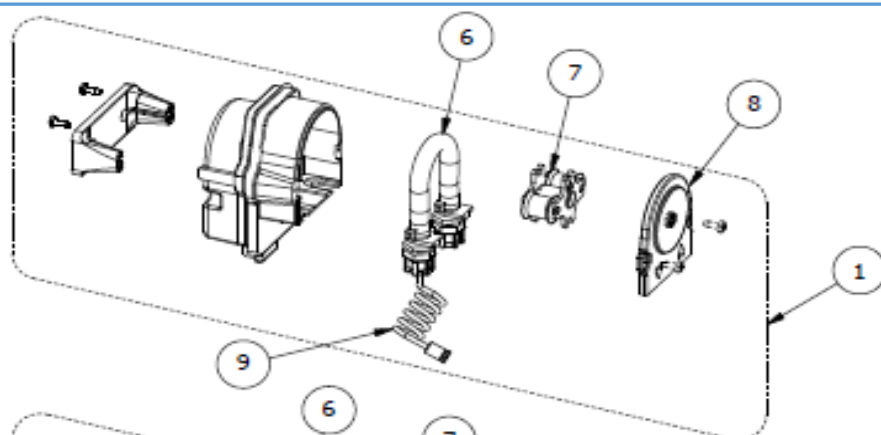
<b>POS:</b>	<b>Art.No.:</b>	<b>Omschrijving:</b>	<b>Aantal:</b>
1		DOOR ASSY TYPE 1	
2		DOOR ASSY TYPE 2	
3		DOOR ASSY TYPE 3	
4		DOOR ASSY TYPE 4	
5		DOOR ASSY TYPE 5	



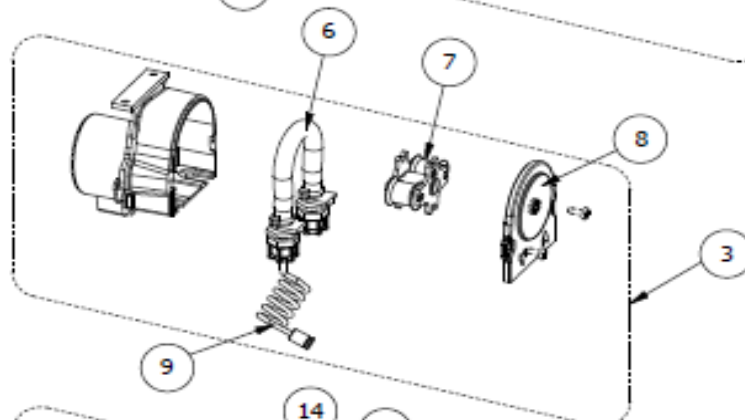
**Onderdelenlijst 7280.0005 - 7280.0010**

<b>POS:</b>	<b>Art.No.:</b>	<b>Omschrijving:</b>	<b>Aantal:</b>
1		PUMP PLASTIC BODY	
2		GASKET	
3		IMPELLER	
4		MECHANICAL SEAL ASSY	
5		CAPACITOR 5 $\mu$ F	

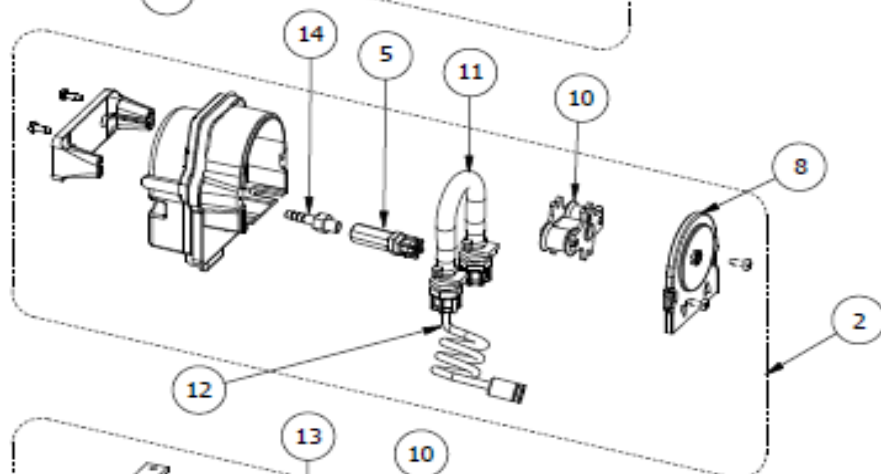
DOS. DETERSIVO REGOLABILE  
DETERGENT DISPENSER ADJUSTABLE



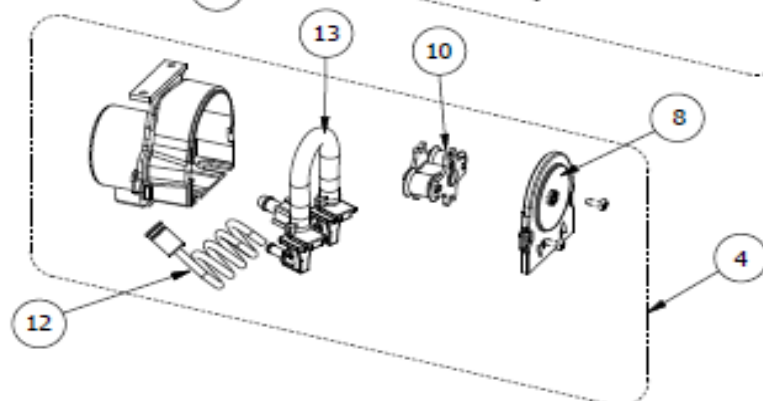
DOS. DETERSIVO FISSO  
FIX DETERGENT DISPENSER



DOS. BRILLANTE REGOLABILE  
RINSE-AID DISPENSER ADJUSTABLE



DOS. BRILLANTE FISSO  
FIX RINSE-AID DISPENSER



## Onderdelenlijst 7280.0005 - 7280.0010

POS:	Art.No.:	Omschrijving:	Aantal:
1	9136.3103	ADJUSTABLE DETER. DISPENDER 0÷3Lt/h	
2	9136.3106	ADJUSTABLE RINSE-AID DISPENDER 0÷0.5Lt/h	
3	9136.3105	FIXED DETERGENT DISPENDER 3Lt/h	
4		FIXED RINSE-AID DISPENDER 0,5Lt/h	
5	9136.1750	NOT RETOURN VALVE FOR RINSE-AID DISP. (*)	
6	9136.3167	INTERNAL DETERG. DISPENSER HOSE (*)	
7	9136.1783	DETERG. DISPENS. ROLL HOLDERS ASSY (*)	
8		COVER ASSY	
9	9136.1361	DETERG. DISPENS. FILTER ASSY WITH HOSE	
10		RINSE-AID DISPENS. ROLL HOLDERS ASSY (*)	
11	9136.3168	INTERNAL RINSE-AID DISPENSER HOSE (*)	
12	9136.1362	RINSE-AID DISPENSER FILTER ASSY	
13		INTERNAL RINSE-AID DISPENSER HOSE WITH VALVE	
14		STAINLESS STEEL HOSE NIPPLE	